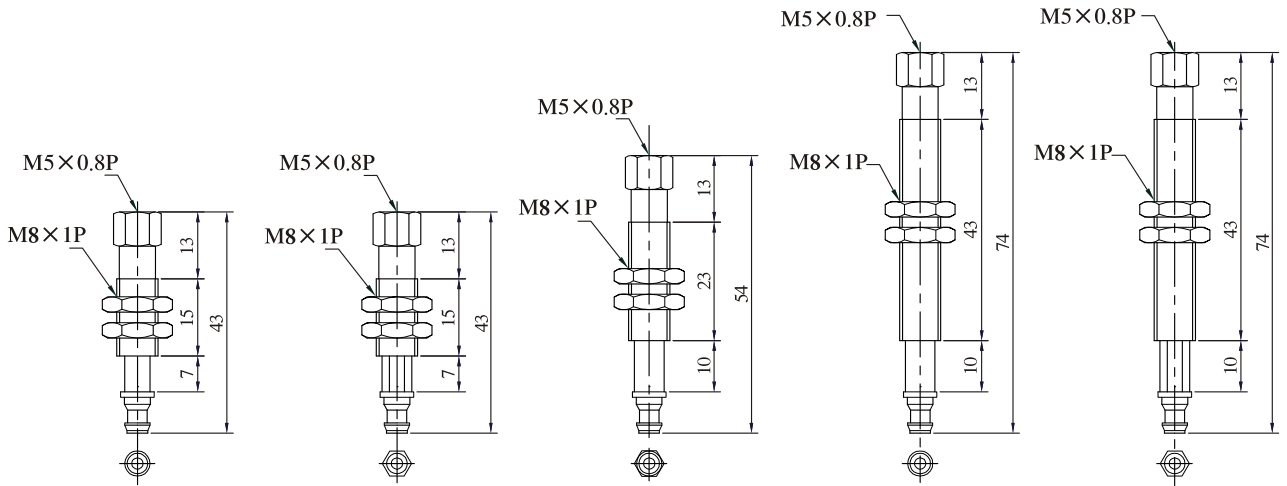


# ESC / ESM Series PAD HOLDER



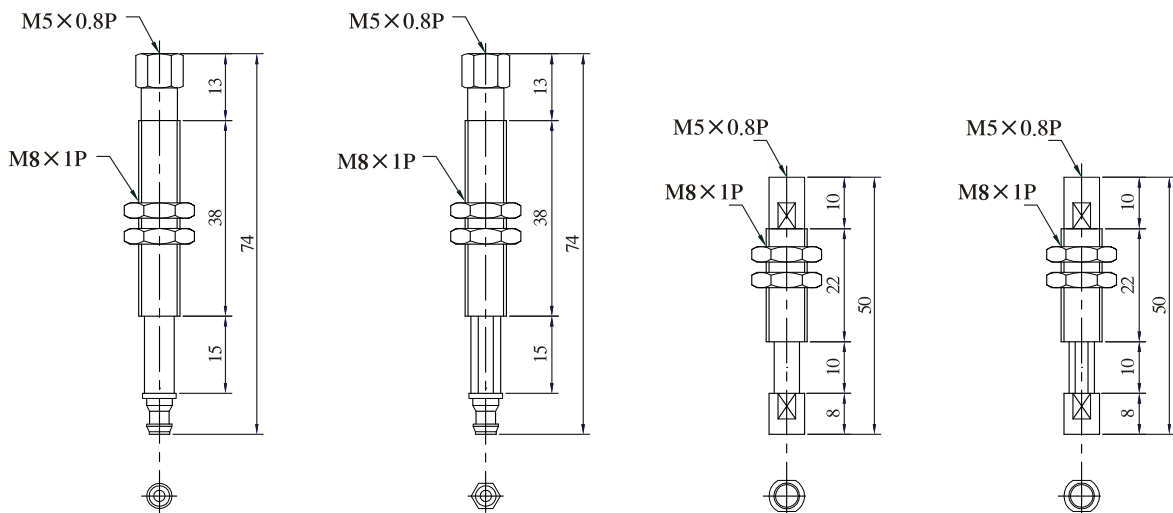
ESC08-ST07

ESC08-ST07-K

ESC08-ST10-A

ESC08-ST10

ESC08-ST10-K



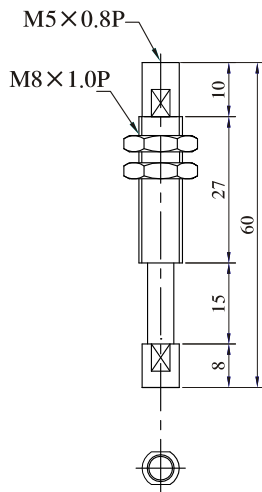
ESC08-ST15

ESC08-ST15-K

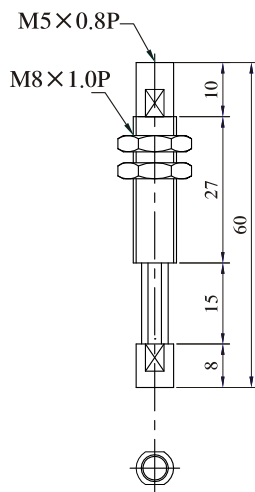
ESM08-ST10  
(SUS)

ESM08-ST10-K  
(SUS)

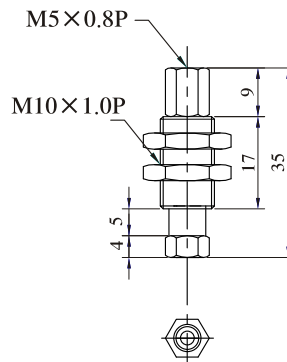
# ESM Series



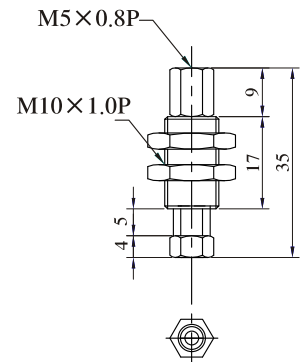
ESM08-ST15  
(SUS)



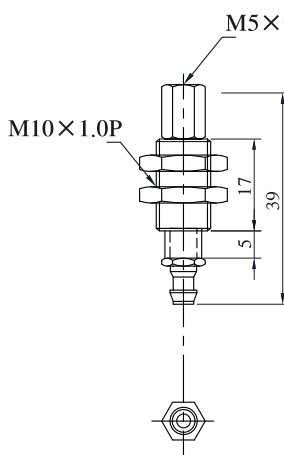
ESM08-ST15-K  
(SUS)



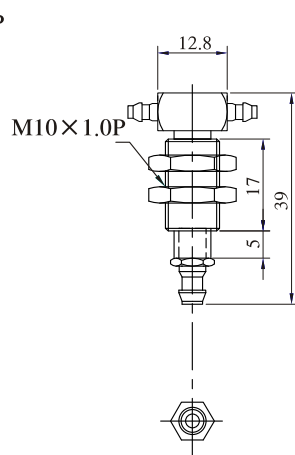
ESM10-ST5  
(SUS)



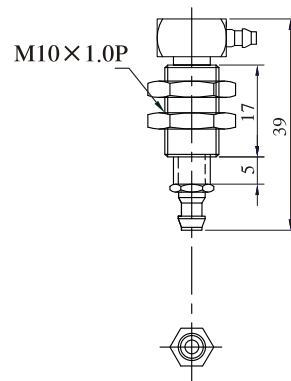
ESM10-ST5-K  
(SUS)



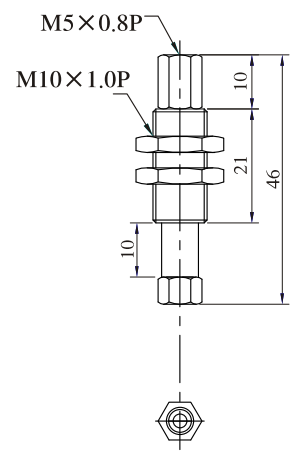
ESM10-ST5-H  
(SUS)



ESM10-ST5-H4T/H6T  
(SUS)

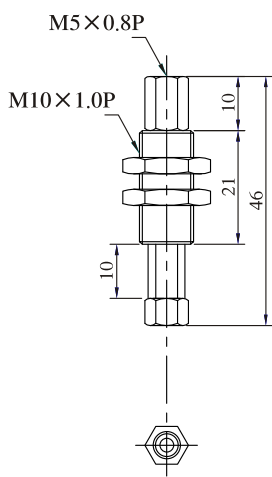


ESM10-ST5-H4L/H6L  
(SUS)

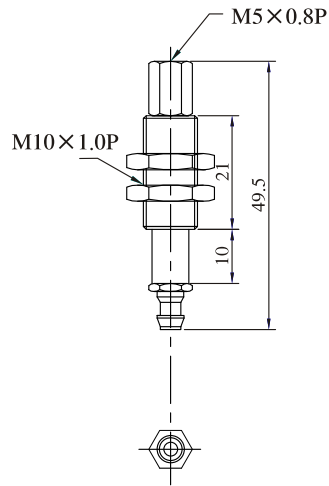


ESM10-ST10  
(SUS)

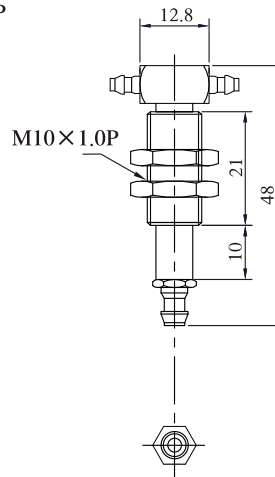
# ESM Series



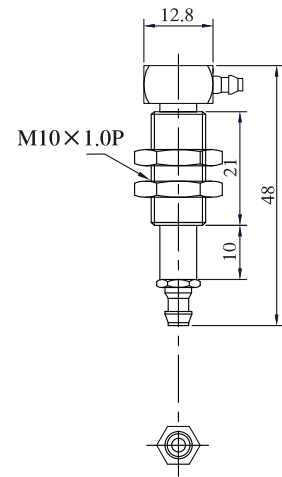
ESM10-ST10-K  
(SUS)



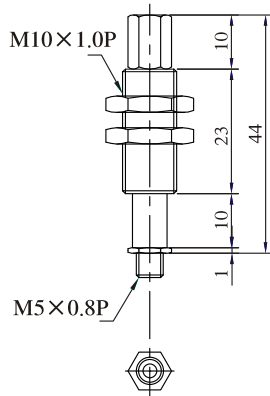
ESM10-ST10-H  
(SUS)



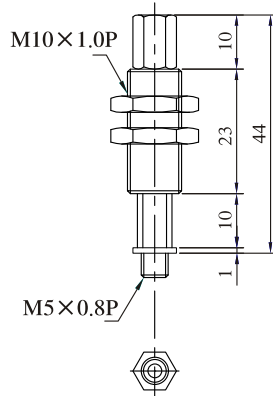
ESM10-ST10-H4T/H6T  
(SUS)



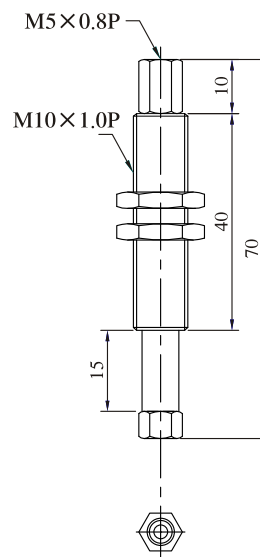
ESM10-ST10-H4L/H6L  
(SUS)



ESM10-ST10-M  
(SUS)

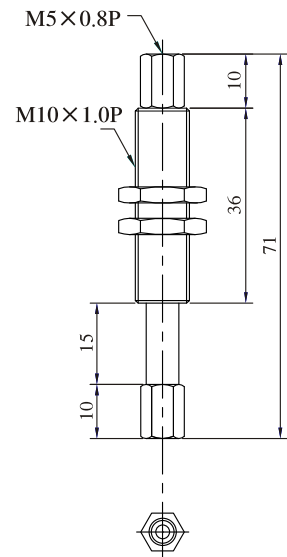


ESM10-ST10-M-K  
(SUS)



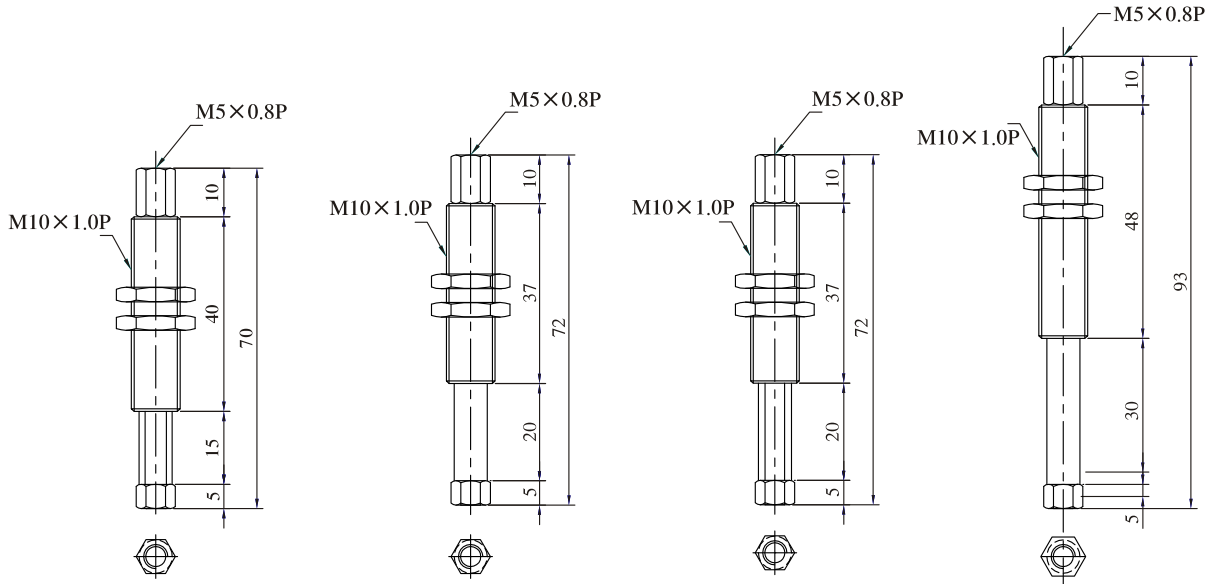
ESM10-ST15(SUS)

※ ESM10-ST15(SUS)  
H4L/H4T/H6L/H6T도  
생산됩니다



ESM10-ST15-T  
(SUS)

# ESM Series

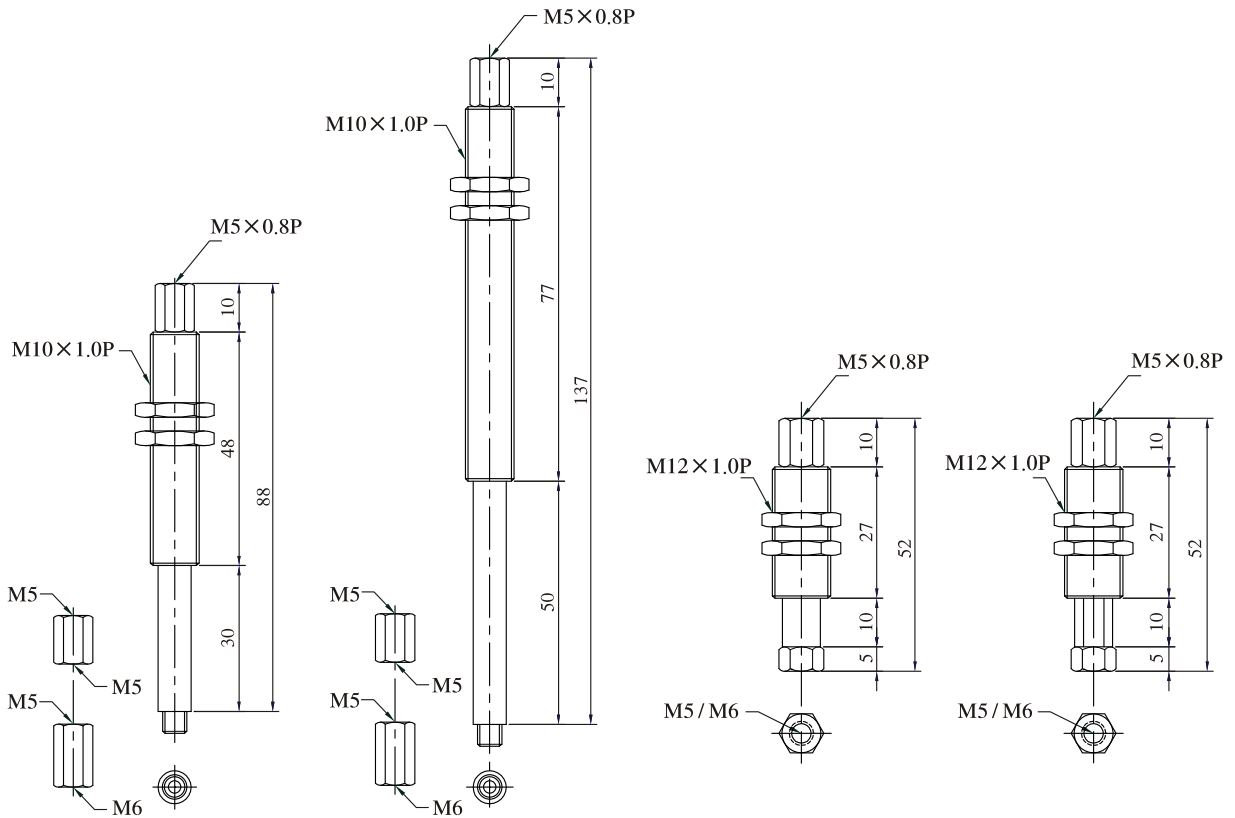


ESM10-ST15-K(SUS)

ESM10-ST20(SUS)

ESM10-ST20-K(SUS)

ESM10-ST30(SUS)



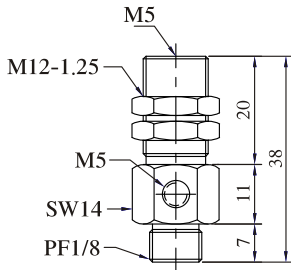
ESM10-ST30-T(SUS)  
M5/M6 두 종류가 있습니다

ESM10-ST50-T(SUS)  
M5/M6 두 종류가 있습니다

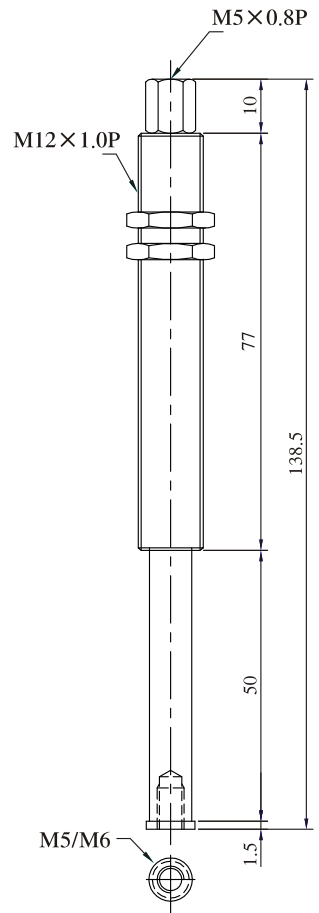
ESM12-ST10-(SUS)  
M5/M6 두 종류가 있습니다

ESM12-ST10-K(SUS)  
M5/M6 두 종류가 있습니다

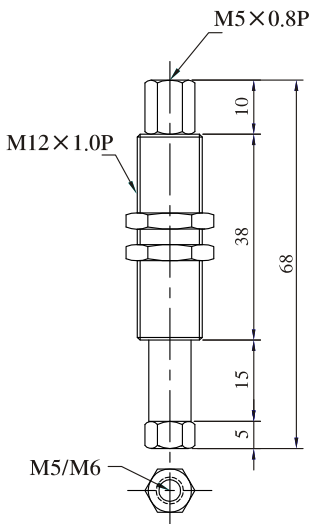
# ESM Series



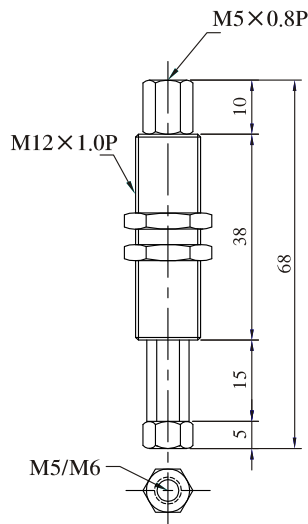
SILK 1/8-M12



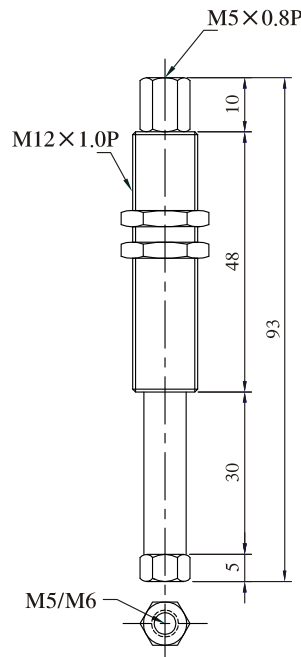
ESM12-ST50(SUS)  
M5/M6  
두 종류가 있습니다



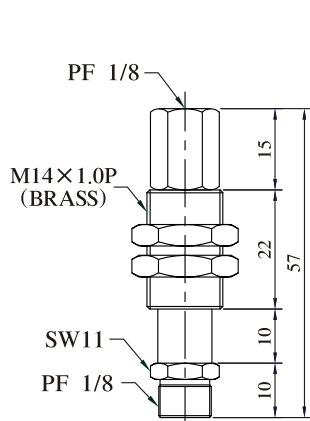
ESM12-ST15(SUS)  
M5/M6  
두 종류가 있습니다



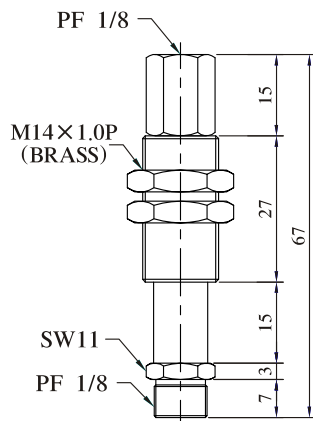
ESM12-ST15-K(SUS)  
M5/M6  
두 종류가 있습니다



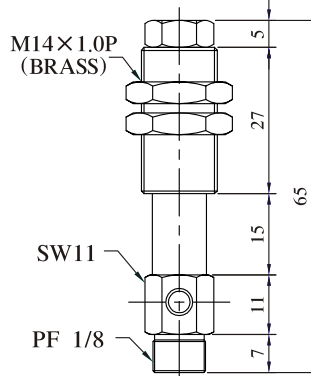
ESM12-ST30(SUS)  
M5/M6  
두 종류가 있습니다



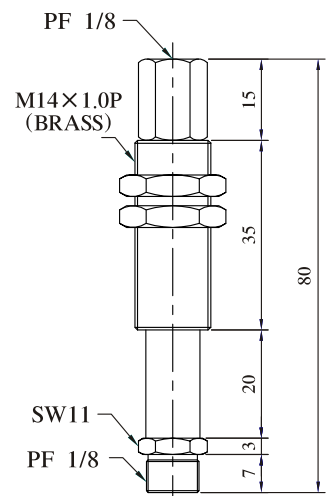
ESM14-ST10



ESM14-ST15

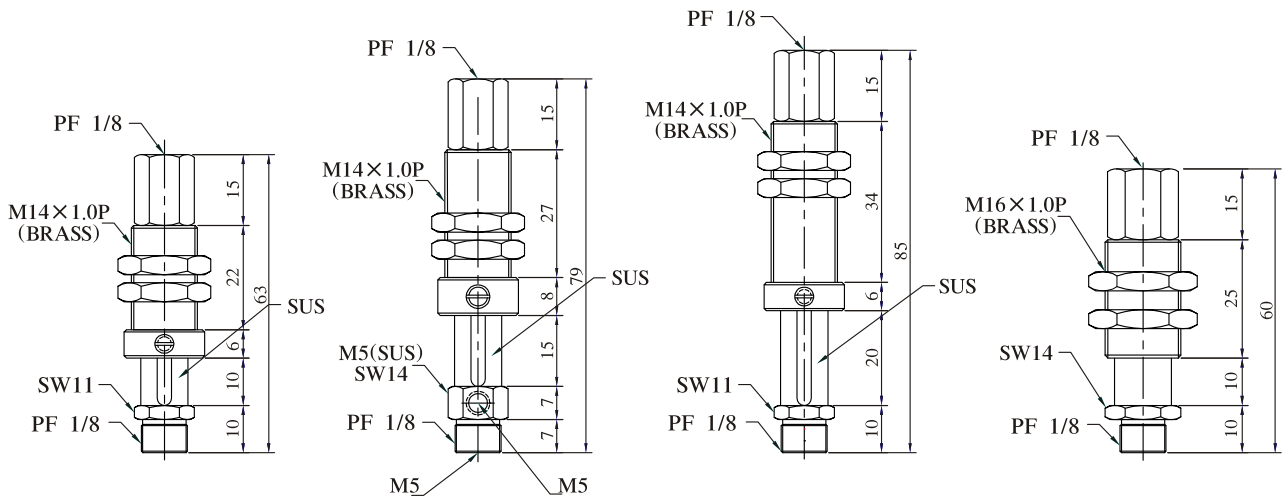


ESM14-ST15L



ESM14-ST20

# ESM / EPF Series

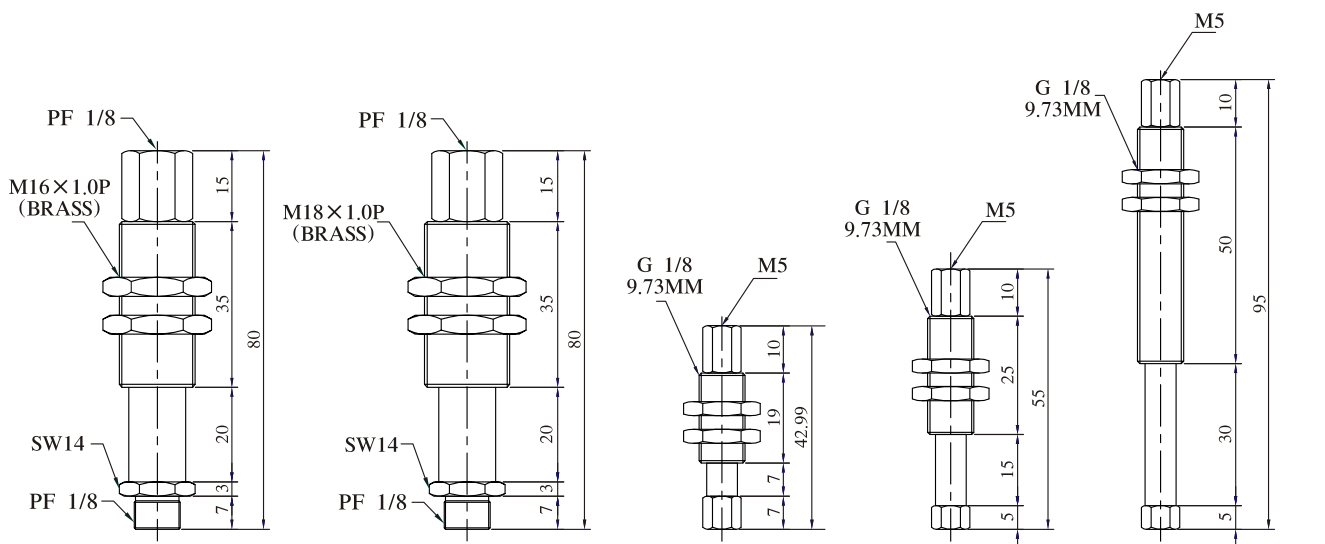


ESM14-ST10-K

ESM14-ST15L-K

ESM14-ST20-K

ESM16-ST10



ESM16-ST20

ESM18-ST20

EPF1/8-M507S

EPF1/8-M515S

EPF1/8-M530S